

PARTS LIST

BCF500HTR-RS

CONTENTS

1. MAIN BODY	1 ~ 2
2. GEARCASE.....	3 ~ 4
3. ENGINE.....	5 ~ 8
4. CARBURETOR, FUEL TANK	9 ~ 12
5. ACCESSORIES	13 ~ 14

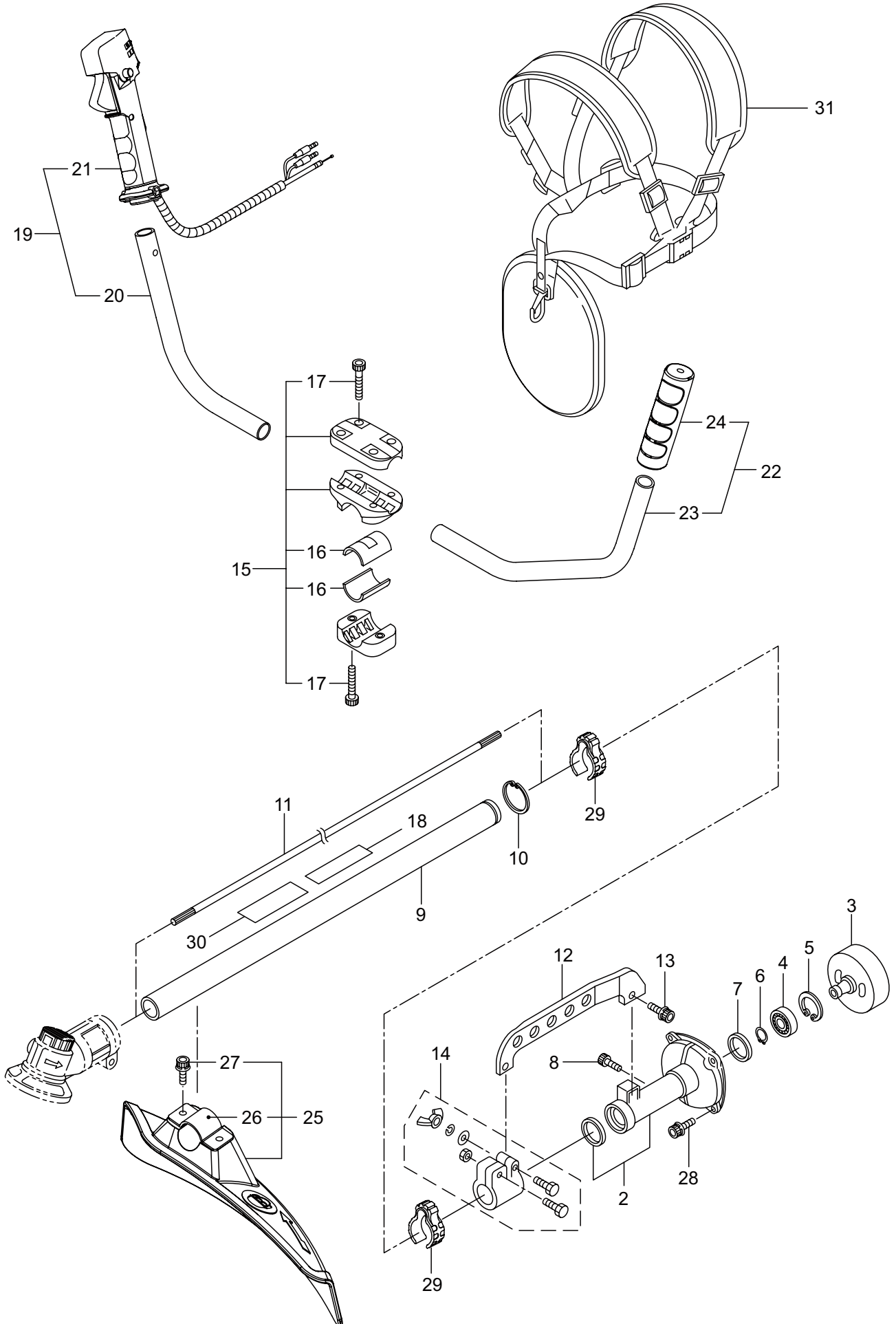
2016. 02.



P/N 524258

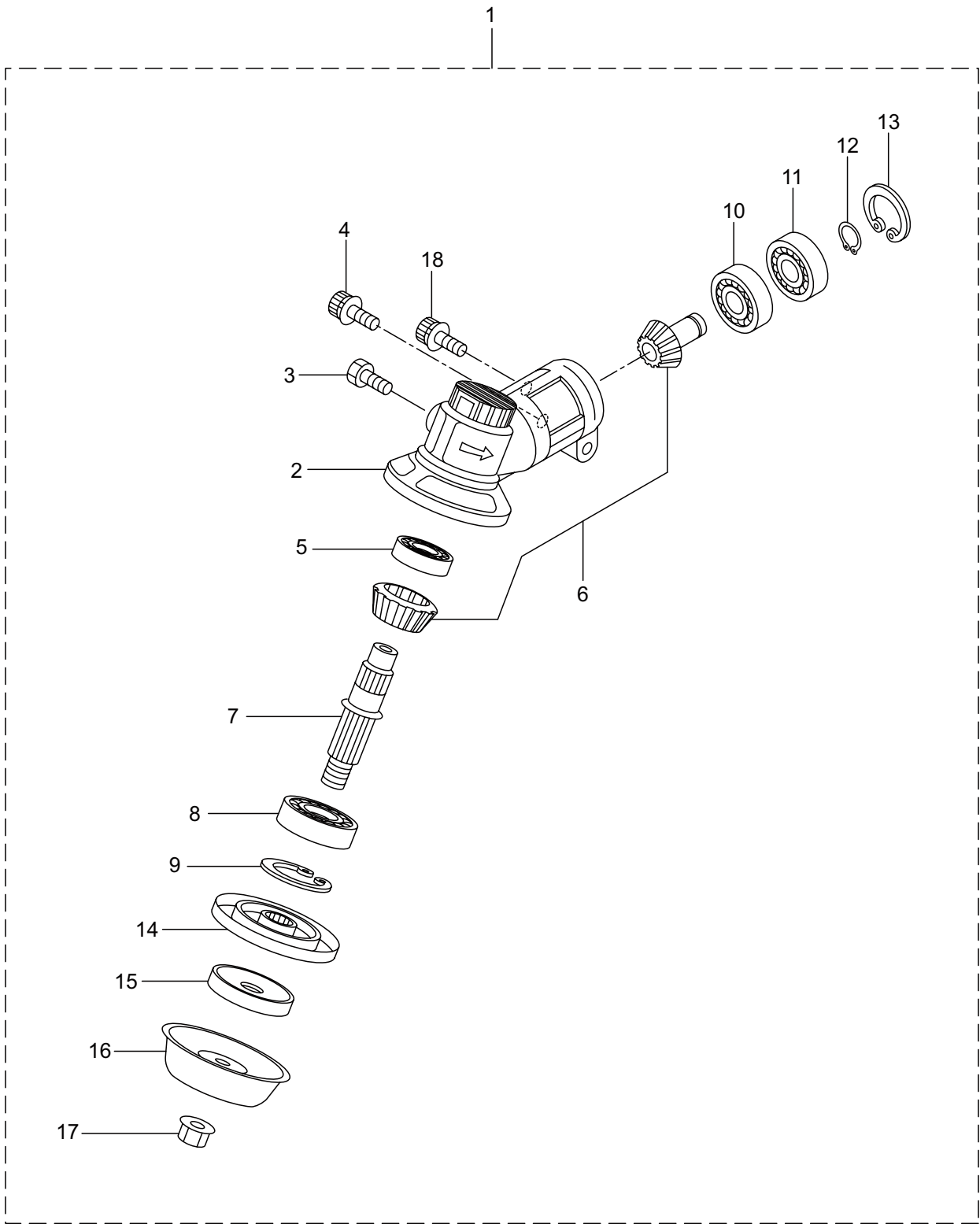


1. BCF500HTR-RS
MAIN BODY



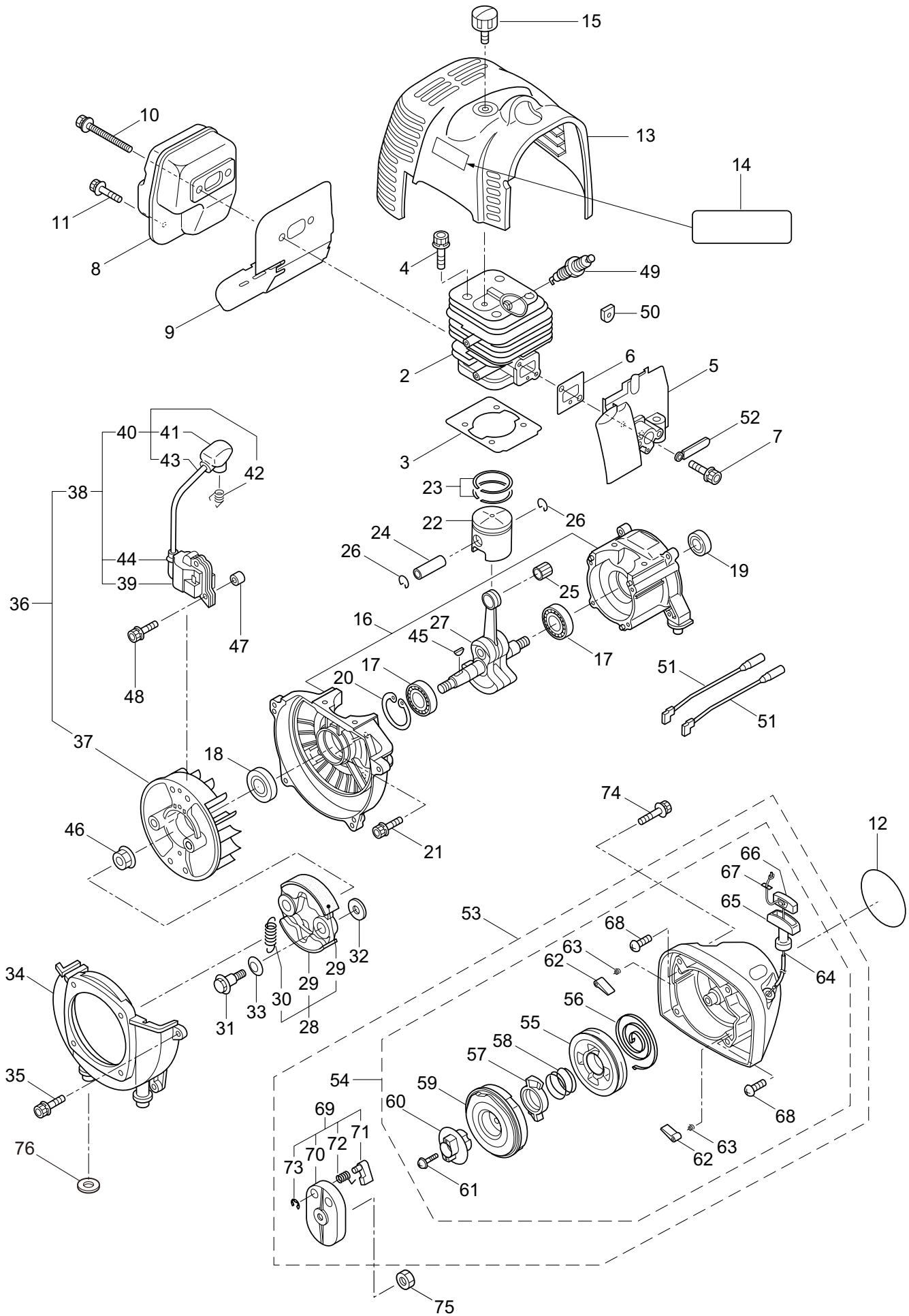
Ref. No.	Part No.	Part Name	Q'ty	Remarks
1-1	364623	BCF500HTR-RS	1	
1-2	228014	Clutch Case Ass'y	1	
1-3	227969	Clutch Drum	1	
1-4	140474	Bearing	1	#620ZZ
1-5	012380	Snap Ring	1	#35
1-6	012384	Snap Ring	1	#15
1-7	227968	Spacer	1	
1-8	232844	Bolt	1	M6x10
1-9	239016	Driveshaft Tube	1	
1-10	228001	Snap Ring	1	IRTW30
1-11	227963	Driveshaft	1	
1-12	227970	Arm	1	
1-13	239017	Cap Screw	1	M6x20
1-14	232777	Swivel Clamping Ass'y	1	
1-15	239018	Bracket Ass'y	1	Incl.16,17
1-16	239023	Clamp Rubber	2	
1-17	239042	Cap Screw	6	M6x25
1-18	228022	Label	1	Caution
1-19	229729	Handle Ass'y-Right	1	Incl.20,21
1-20	229730	Right Handle	1	
1-21	229731	Throttle Trigger	1	
1-22	239032	Handle Ass'y-Left	1	Incl.23,24
1-23	239033	Left Handle	1	
1-24	239034	Grip	1	
1-25	232780	Safety Cover Ass'y	1	Incl.26,27
1-26	228027	Bracket	1	
1-27	238298	Cap Screw	2	M6x28
1-28	232845	Bolt	4	M6x25
1-29	239037	Clamp	2	
1-30	239029	Label	1	MARUYAMA
1-31	228006	Shoulder Band Ass'y	1	

2. BCF500HTR-RS
GEARCASE



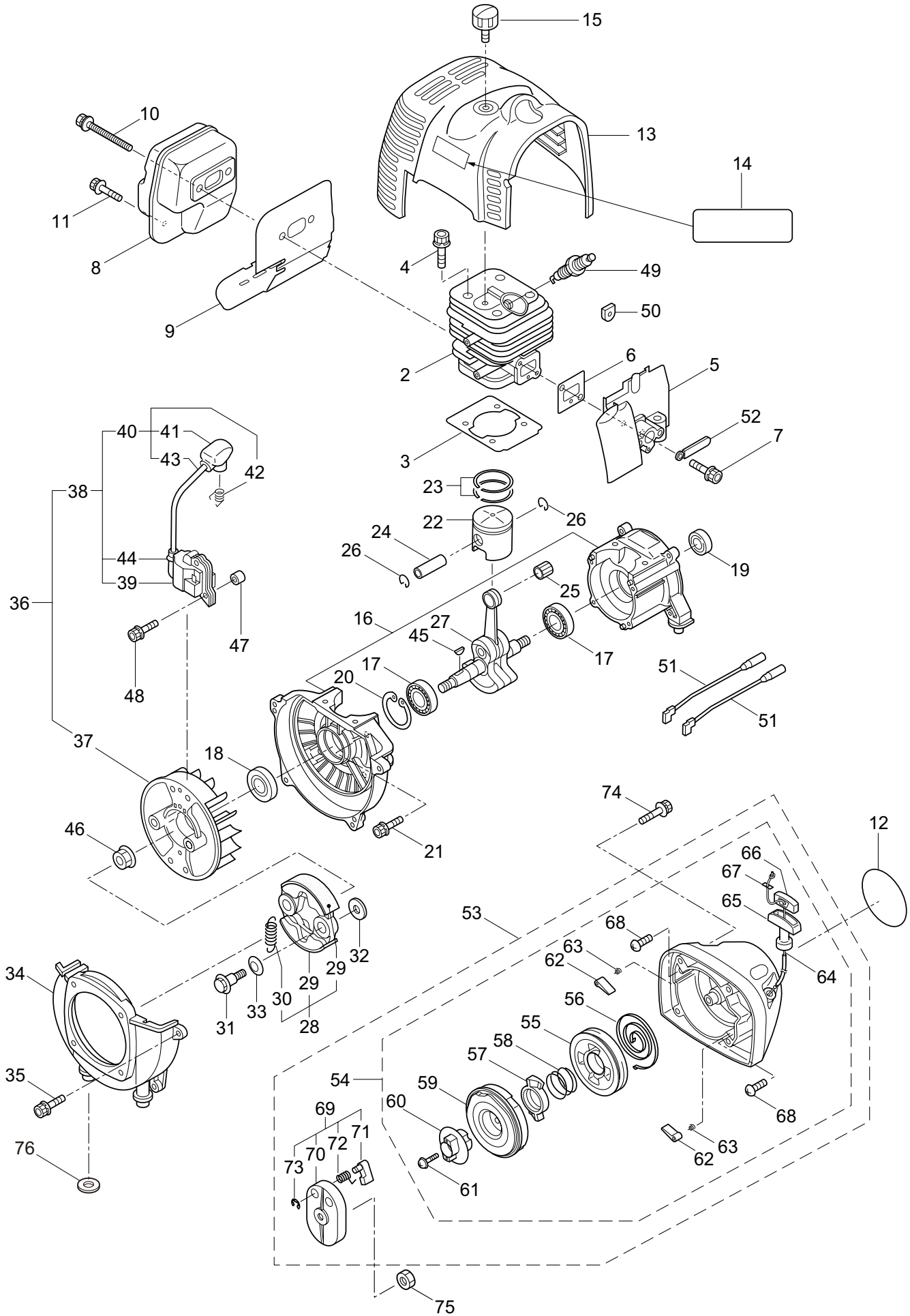
Ref. No.	Part No.	Part Name	Q'ty	Remarks
2-1	239024	Gearcase Ass'y	1	Incl.2-18
2-2	239025	Gearcase	1	
2-3	239026	Bolt	1	M6x8
2-4	239027	Cap Screw	1	M6x23
2-5	014490	Bearing	1	#6000
2-6	228619	Gear Set	1	
2-7	228020	Blade Shaft	1	
2-8	219895	Bearing	1	#6002 2RS
2-9	016732	Snap Ring	1	#32
2-10	019585	Bearing	1	#6001
2-11	058995	Bearing	1	#6001Z
2-12	055186	Snap Ring	1	#12
2-13	055185	Snap Ring	1	#28
2-14	228003	Blade Holder-A Ass'y	1	
2-15	228004	Blade Holder-B	1	
2-16	227960	Nut Cover	1	
2-17	227961	Blade Locking Nut	1	
2-18	239028	Cap Screw	1	M5x12

3. BCF500HTR-RS ENGINE



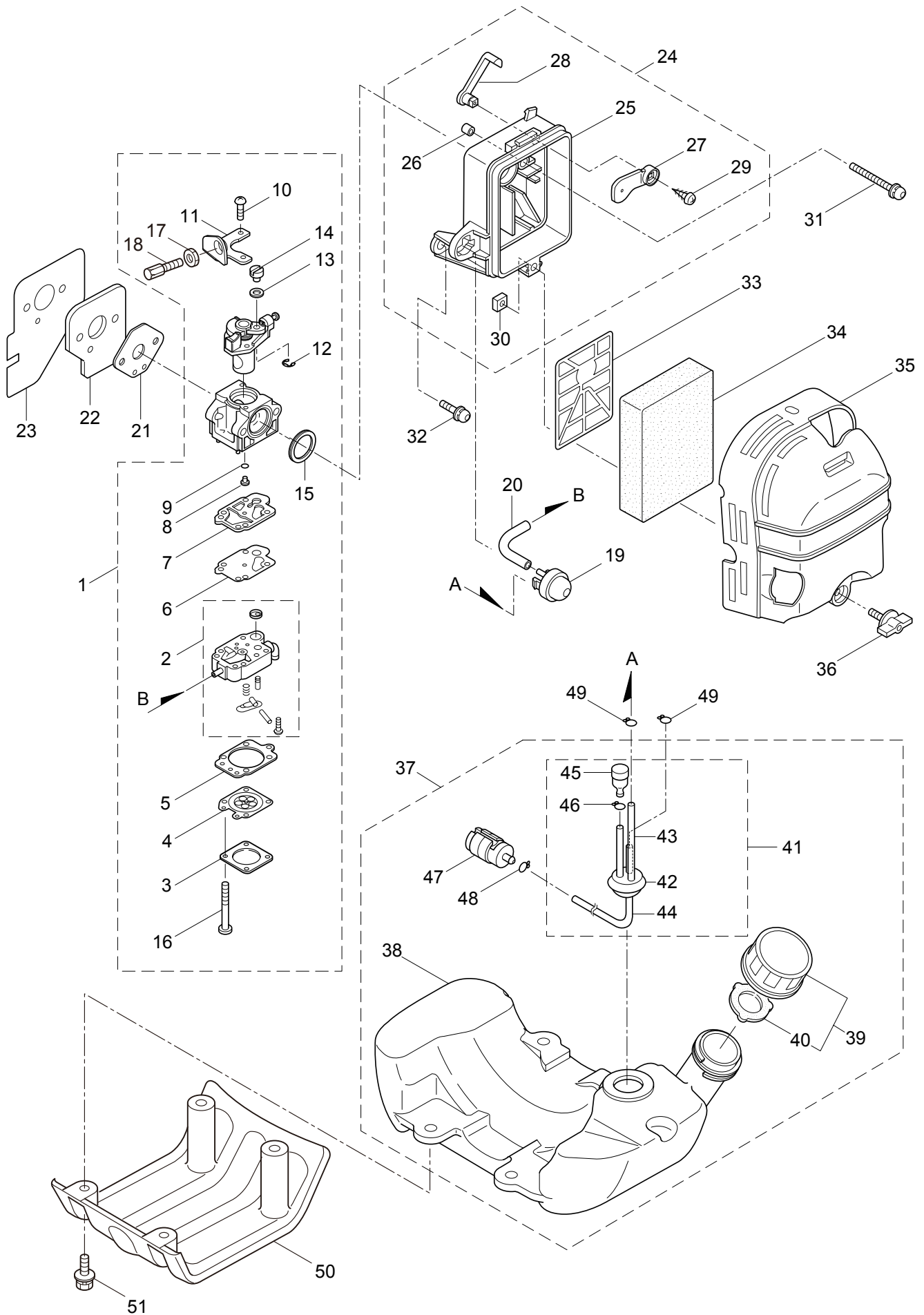
Ref. No.	Part No.	Part Name	Q'ty	Remarks
3-1	859956	Engine	1	NE500/54
3-2	283076	Cylinder	1	New gasket required
3-3	282259	Gasket	1	
3-4	261612	Cap Screw	4	M5x30
3-5	282261	Insulator	1	New gasket required
3-6	282262	Gasket	1	
3-7	267290	Cap Screw	2	M5x20
3-8	282264	Muffler Comp	1	
3-9	282271	Gasket	1	
3-10	266713	Cap Screw	2	M5x60
3-11	283315	Screw	1	M5x12W-12
3-12	283554	Label	1	MARUYAMA NE500
3-13	282274	Top Cover	1	
3-14	277212	Label	1	BCF500HTR-RS
3-15	262556	Knob	1	
3-16	282277	Crankcase	1	
3-17	262658	Bearing	2	#6202C3
3-18	262660	Oil Seal	1	TC15357
3-19	262565	Oil Seal	1	ISCD15257
3-20	012380	Snap Ring	1	#35
3-21	261612	Cap Screw	4	M5x30
3-22	283675	Piston	1	
3-23	282941	Piston Ring	2	(2)Required
3-24	262749	Piston Pin	1	
3-25	262659	Bearing,Needle	1	KTV111414EG01B2
3-26	262479	Clip,Piston Pin	2	
3-27	283038	Crankshaft/Conn.Rod Ass'y	1	
3-28	282743	Clutch Ass'y	1	Incl.29,30
3-29	282624	Clutch Shoe	2	(2)required
3-30	263617	Spring,Clutch	1	2.3-44.8L
3-31	283671	Cap Screw	2	M8x1.25
3-32	262683	Washer	2	8x22xt1.2
3-33	262682	Wave Washer	2	
3-34	282285	Fan Cover	1	
3-35	261250	Cap Screw	4	M5x20
3-36	282287	Magneto Ass'y	1	Incl.37-44
3-37	282288	Rotor/Fan	1	
3-38	282289	Ignition Coil Ass'y	1	Incl.39-44
3-39	267572	Coil	1	
3-40	282290	Spark Plug Wire Ass'y	1	Incl.41-43
3-41	282292	Plug Boot	1	
3-42	261075	Connector	1	
3-43	282291	Spark Plug Wire	1	
3-44	261072	Cap	1	
3-45	261076	Woodruff Key	1	3x10

3. BCF500HTR-RS ENGINE



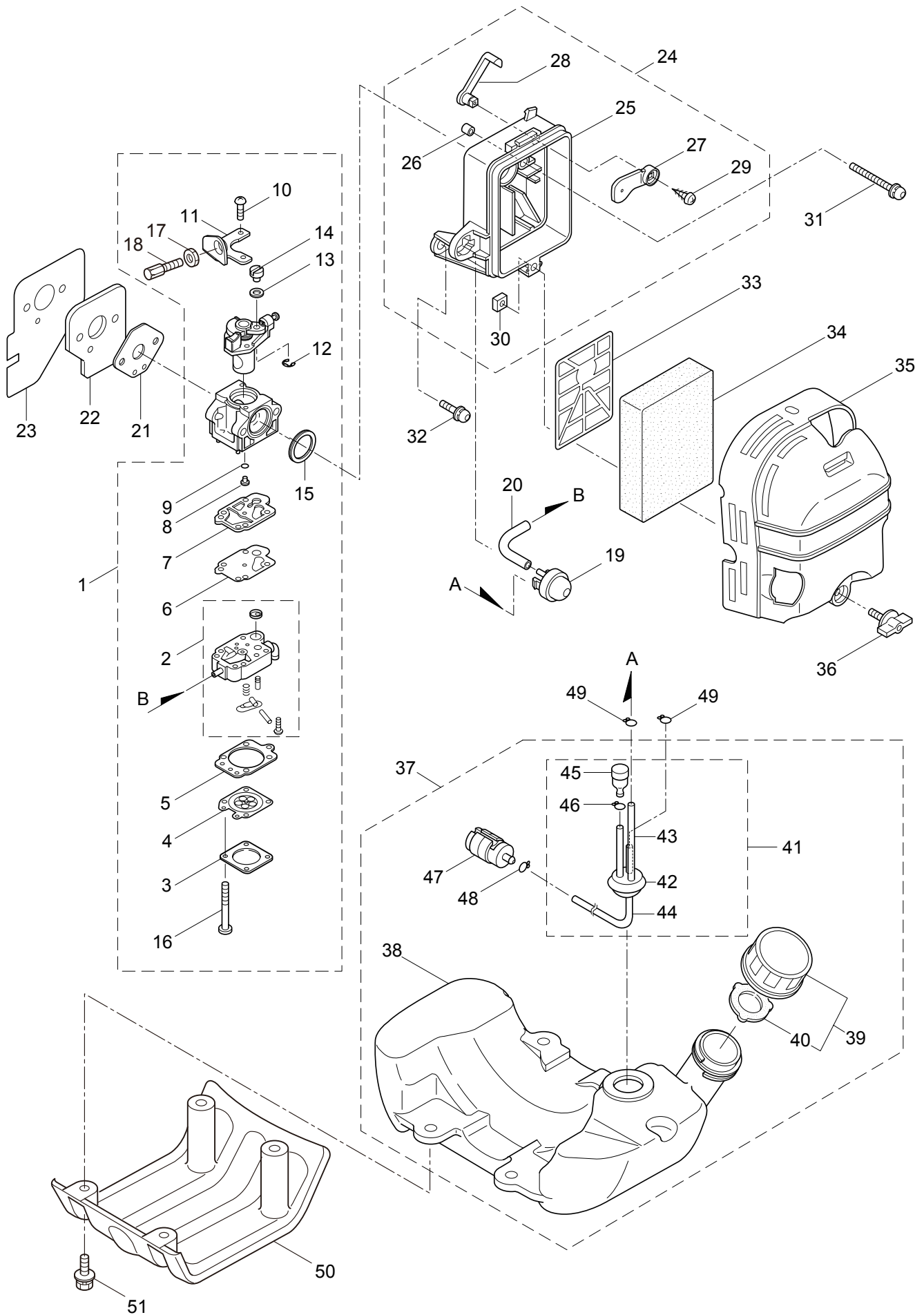
Ref. No.	Part No.	Part Name	Q'ty	Remarks
3-46	262731	Nut,Rotor	1	M10
3-47	280381	Spacer	2	
3-48	283669	Cap Screw	2	M4x25
3-49	261200	Spark Plug	1	NGK BPM6Y
3-50	281172	Grommet	1	
3-51	267492	Lead	2	130L
3-52	264588	Clamp	1	
3-53	282294	Recoil Starter Ass'y	1	Incl.54-73
3-54	282295	Starter Ass'y	1	Incl.55-68
3-55	280994	Pulley	1	
3-56	280995	Spiral Spring	1	
3-57	280996	Pawl	1	
3-58	280997	Return Spring	1	
3-59	283123	Spring Comp	1	
3-60	280999	Plate	1	
3-61	281000	Set Screw	1	
3-62	281001	Pawl	2	
3-63	281002	Return Spring	2	
3-64	281004	Starter Rope	1	
3-65	262633	Starter Grip	1	
3-66	262981	Cap	1	
3-67	281005	Rope Stopper	1	
3-68	282622	Screw	2	
3-69	282623	Starter Pulley Ass'y	1	Incl.70-73
3-70	282282	Starter Pulley	1	
3-71	262636	Pawl	2	
3-72	262637	Return Spring	2	
3-73	262638	E-Ring	2	
3-74	261607	Cap Screw	4	M5x16
3-75	126990	Nut	1	M8
3-76	285735	Packing	4	

4. BCF500HTR-RS
CARBURETOR, FUEL TANK



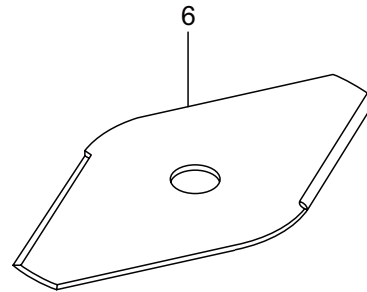
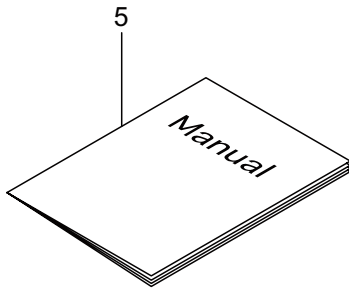
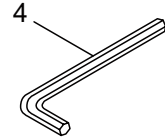
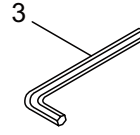
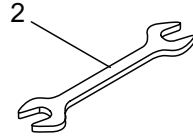
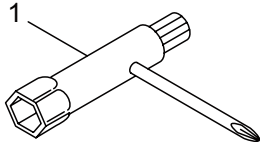
Ref. No.	Part No.	Part Name	Q'ty	Remarks
4-1	282298	Carburetor Ass'y	1	Incl.2-18 New gasket required
4-2	283124	Pump Body	1	
4-3	263726	Cover Plate	1	
4-4	283905	Diaphragm, Meterring	1	
4-5	263727	Gasket	1	
4-6	262994	Diaphragm,Fuel Pump	1	
4-7	282576	Gasket	1	
4-8	283125	Main Jet	1	
4-9	261871	O-Ring	1	
4-10	261875	Screw	2	
4-11	264677	Bracket	1	
4-12	261876	E-Ring	1	
4-13	264678	Washer	1	
4-14	261658	Swivel	1	
4-15	261657	Packing	1	
4-16	263737	Screw	4	
4-17	261878	Nut	1	
4-18	263994	Adapter	1	
4-19	282299	Pump	1	
4-20	282512	Fuel Pipe	1	
4-21	282301	Gasket	1	
4-22	283086	Divider	1	
4-23	283087	Gasket	1	
4-24	282302	Case Ass'y	1	Incl.25-30
4-25	282303	Case Body	1	
4-26	282484	Sleeve	3	
4-27	282304	Valve	1	
4-28	282305	Lever	1	
4-29	269032	Screw	1	
4-30	269423	Nut	1	
4-31	262720	Cap Screw	2	M5x55
4-32	264807	Cap Screw	1	M5x16
4-33	282481	Plate	1	
4-34	282306	Element	1	
4-35	282307	Cleaner Cover	1	
4-36	281438	Knob	1	
4-37	283487	Fuel Tank Ass'y	1	Incl.38-48
4-38	282310	Fuel Tank	1	
4-39	281565	Fuel Tank Cap Ass'y	1	Incl.40
4-40	269377	Gasket	1	
4-41	282312	Fuel Pipe Ass'y	1	Incl.42-46
4-42	268065	Grommet	1	
4-43	282511	Return Pipe	1	
4-44	262649	Fuel Pipe	1	
4-45	261590	Breather	1	

4. BCF500HTR-RS
CARBURETOR, FUEL TANK



Ref. No.	Part No.	Part Name	Q'ty	Remarks
4-46	261117	Clip	1	
4-47	267328	Fuel Filter Ass'y	1	
4-48	261117	Clip	1	
4-49	261117	Clip	2	
4-50	285757	Stand	1	
4-51	281714	Cap Screw	4	M5x20

5. BCF500HTR-RS
ACCESSORIES



Ref. No.	Part No.	Part Name	Q'ty	Remarks
5-1	232848	Box Spanner	1	
5-2	228009	Spanner	1	8x10
5-3	219432	Wrench	1	4mm
5-4	239036	Wrench	1	5mm
5-5	239030	Instruction Manual	1	
5-6	213055	Mowing Blade	1	